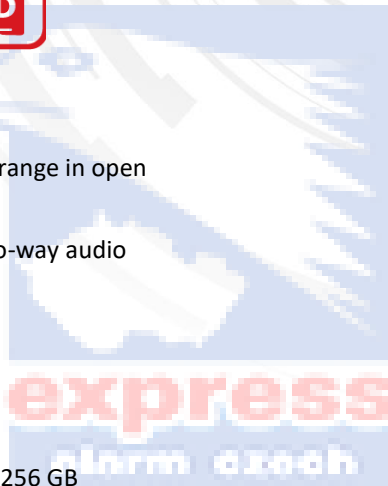


## DS-2CV2041G2-IDW (D) 4 MP EXIR Fixed Bullet Wi-Fi Network Camera



- 1/2.7" Progressive Scan 4MP CMOS
- Built-in dual antenna 2.4G Wi-Fi, up to 120m range in open area
- Built-in microphone and speaker, support two-way audio
- H.265, H.264
- EXIR, 30m IR range
- IP66 Dust and water proof
- Built-in micro SD/SDHC/SDXC card slot, up to 256 GB



## ▪ Specification

| Camera                      |   |
|-----------------------------|---|
| Image Sensor                | 1/2.7" Progressive Scan CMOS  |
| Min. Illumination           | Color: 0.009 Lux @ (F1.6, AGC ON), 0 Lux with IR on   |
| Shutter Speed               | 1/3 s to 1/100,000 s  |
| Slow Shutter                | Yes   |
| Wide Dynamic Range          | 120 dB  |
| Day & Night                 | ICR Cut   |
| Angle Adjustment            | Pan: 0° to 360°, tilt: 0° to 90°, rotate: 0° to 360°  |
| Lens                        |   |
| Lens Type & FOV             | 2.8 mm: horizontal FOV: 97°, vertical FOV: 52°, diagonal FOV: 114°<br>4 mm: horizontal FOV: 79°, vertical FOV 42°, diagonal FOV 93° |
| Aperture                    | F1.6  |
| Lens Mount                  | M12   |
| Illuminator                 |   |
| IR Range                    | Up to 30 m  |
| Wavelength                  | 850 nm  |
| Smart Supplement Light      | Yes   |
| Video                       |   |
| Max. Resolution             | 2560 × 1440   |
| Main Stream                 | 50Hz: 25 fps (2560 × 1440, 1920 × 1080, 1280 × 720)<br>60Hz: 30 fps (2560 × 1440, 1920 × 1080, 1280 × 720)                          |
| Sub Stream                  | 50Hz: 25 fps (640 × 360)<br>60Hz: 30 fps (640 × 360)  |
| Video Compression           | Main stream/Sub-stream: H.265/H.264   |
| Video Bit Rate              | 32 Kbps to 8 Mbps   |
| H.264 Type                  | Baseline Profile/Main Profile/High Profile  |
| H.265 Type                  | Main Profile  |
| Stream Type                 | Main stream and sub-stream  |
| Region of Interest (ROI)    | 1 fixed region for main stream  |
| Audio                       |   |
| Environment Noise Filtering | Yes   |
| Audio Sampling Rate         | 8 kHz/16 kHz  |
| Audio Compression           | G.711/G.722.1/G.726/MP2L2/PCM   |
| Audio Bit Rate              | 64Kbps(G.711)/16Kbps(G.722.1)/16Kbps(G.726)/32-160Kbps(MP2L2)   |
| Network                     |   |
| Simultaneous Live View      | Up to 6 channels  |
| API                         | ISAPI, SDK  |
| Protocols                   | TCP/IP, ICMP, HTTP, DHCP, DNS, DDNS, RTP, RTSP, R TCP, NTP, UPnP, SMTP, IGMP, QoS, IPv6, UDP, Bonjour, SSL/TLS                      |
| User/Host                   | Up to 32 users<br>3 levels: administrator, operator and user  |

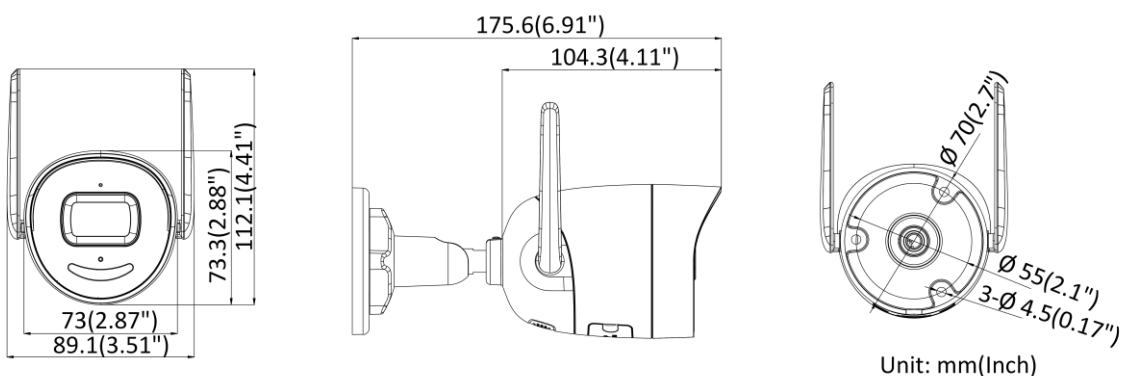
|  |   |
|--|---|
| Security                                   | Password protection, complicated password, HTTPS encryption, 802.1X authentication (EAP-TLS, EAP-LEAP, EAP-MD5), watermark, IP address filter, basic and digest authentication for HTTP/HTTPS, WSSE and digest authentication for ONVIF, RTP/RTSP OVER HTTPS, Control Timeout Settings, Security Audit Log, TLS 1.2 |
| Network Storage                            | NAS (NFS, SMB/CIFS)   |
| Client                                     | Wired network: Hik-Connect, iVMS-4200<br>Wi-Fi: iVMS-4200<br>*Wi-Fi connection with Hik-Connect directly is not possible.   |
| Web Browser                                | Plug-in required live view: IE8+, Chrome41.0-44, Firefox30.0-51, Safari8.0-11;<br>Plug-in free live view: Chrome 45.0+, Firefox 52.0+   |
| <b>Wi-Fi</b>                               |   |
| Encryption Mode                            | 64/128-bit WEP, WPA-EAP/WPA2-EAP, WPA-PSK/WPA4-PSK  |
| Wi-Fi Protocol                             | IEEE802.11b, 802.11g, 802.11n   |
| Frequency Range                            | 2.4 GHz - 2.4835 GHz  |
| Channel Bandwidth                          | 20/40 MHz   |
| Modulation                                 | 802.11b: CCK, QPSK, BPSK, 802.11g/n: OFDM   |
| Wireless Range                             | Up to 120 m (The performance varies based on actual environment)  |
| <b>Image</b>                               |   |
| Day/Night Switch                           | Day/Night/Auto/Schedule   |
| Image Enhancement                          | BLC, HLC, 3D DNR  |
| Image Settings                             | Saturation, brightness, contrast, sharpness, AGC, and white balance are adjustable by client software or web browser  |
| <b>Interface</b>                           |   |
| On-board Storage                           | Built-in micro SD/SDHC/SDXC slot, up to 256 GB  |
| Hardware Reset                             | Yes   |
| Communication Interface                    | 1 RJ45 10M/100M self-adaptive Ethernet port   |
| <b>Intelligent (Traditional Algorithm)</b> |   |
| Basic Event                                | Motion detection, flashing alarm light output, audible alarm output, exception (network disconnected, IP address conflict, illegal login, HDD full, HDD error)  |
| <b>General</b>                             |   |
| Linkage Method                             | Upload to NAS/memory card, notify surveillance center, trigger record, trigger capture, audible warning   |
| Online Upgrade                             | Yes   |
| Firmware Version                           | V5.5.132  |
| General Function                           | One-key reset, anti-flicker, heartbeat, mirror, password protection, watermark, IP address filter, flash log, pixel counter   |
| Software Reset                             | Yes   |
| Storage Conditions                         | -30 °C to 60 °C (-22 °F to 140 °F)  |
| Startup and Operating Conditions           | -30 °C to 60 °C (-22 °F to 140 °F)  |
| Power Supply                               | 12 VDC ± 25%, reverse polarity protection   |
| Power Consumption and Current              | 12 VDC, 0.6 A, 7.2 W  |
| Power Interface                            | Ø5.5 mm coaxial power plug  |
| Material                                   | Front cover: metal, back cover: plastic   |
| Camera Dimension                           | 175.6× 73.0 × 89.1 mm (6.91" × 2.87" × 3.51")   |

|                     |   |
|---------------------|---|
| Package Dimension   | 260 × 125 × 125 mm (10.24" × 4.92" × 4.92")   |
| Camera Weight       | Approx. 450 g (0.99 lb.)  |
| With Package Weight | Approx. 770 g (1.70 lb.)  |
| <b>Approval</b>     |   |
| EMC                 | FCC ID (47 CFR Part 15, Subpart B);<br>CE-EMC (EN 55032: 2015, EN 61000-3-2: 2014, EN 61000-3-3: 2013, EN 50130-4: 2011 +A1: 2014);<br>RCM (AS/NZS CISPR 32: 2015);<br>IC (ICES-003: Issue 6, 2016);<br>KC (KN 32: 2015, KN 35: 2015)   |
| RF                  | FCC ID (FCC Part 15.247(BT or 2.4G));<br>IC ID (RSS-247(BT or 2.4G));<br>CE-RED (EN 301489-1 V2.1.1(BT or 2.4G); EN 301489-17 V3.1.1(BT or 2.4G); EN 300328 V2.1.1(BT or 2.4G); EN 62311:2008(BT or 2.4G));<br>WPC (EN 301 489-1 V2.1.1(BT or 2.4G); EN 301 489-17 V3.1.1(BT or 2.4G); EN 300 328 V2.1.1(BT or 2.4G); EN 62311:2008(BT or 2.4G); EN 55032:2015; EN 61000-3-2:2014; EN 61000-3-3:2013; EN 50130-4:2011 +A1:2014);<br>KC (KN 32:2015; KN 35: 2015; KN 301489-1; KN 301489-17);<br>ICASA (EN 301 489-1 V2.1.1(BT or 2.4G); EN 301 489-17 V3.1.1(BT or 2.4G); EN 300 328 V2.1.1(BT or 2.4G); EN 62311:2008(BT or 2.4G); EN 55032:2015; EN 61000-3-2:2014; EN 61000-3-3:2013; EN 50130-4:2011 +A1:2014; EN 60950-1:2005 + Am 1:2009 + Am 2:2013) |
| Safety              | UL (UL 60950-1);<br>CB (IEC 60950-1:2005 + Am 1:2009 + Am 2:2013);<br>CE-LVD (EN 60950-1:2005 + Am 1:2009 + Am 2:2013);<br>BIS (IS 13252(Part 1):2010+A1:2013+A2:2015);<br>LOA (IEC/EN 60950-1)   |
| Environment         | CE-RoHS (2011/65/EU); WEEE (2012/19/EU); Reach (Regulation (EC) No 1907/2006)<br>Reach Regulation (EC) No 1907/2006   |
| Protection          | Ingress protection: IP66 (IEC 60529-2013)   |

## ▪ Available Model

DS-2CV2041G2-IDW(2.8/4 mm) (D)

## ▪ Dimension



- Accessory
- Optional

## DS-1280ZJ-XS

### Junction box



Distributed by



## HIKVISION®

### Headquarters

No.555 Qianmo Road, Binjiang District,  
Hangzhou 310051, China  
T +86-571-8807-5998  
overseasbusiness@hikvision.com

**Hikvision USA**  
T +1-909-895-0400  
sales.usa@hikvision.com

**Hikvision Australia**  
T +61-2-8599-4233  
salesau@hikvision.com

**Hikvision India**  
T +91-22-28469900  
sales@pramahikvision.com

**Hikvision Canada**  
T +1-866-200-6690  
sales.canada@hikvision.com

**Hikvision Thailand**  
T +662-275-9949  
sales.thailand@hikvision.com

**Hikvision Europe**  
T +31-23-5542770  
sales.eu@hikvision.com

**Hikvision Italy**  
T +39-0438-6902  
info.it@hikvision.com

**Hikvision Brazil**  
T +55 11 3318-0050  
Latam.support@hikvision.com

**Hikvision Turkey**  
T +90 (216)521 7070- 7074  
sales.tr@hikvision.com

**Hikvision Malaysia**  
T +601-7652-2413  
sales.my@hikvision.com

**Hikvision UK & Ireland**  
T +01628-902140  
sales.uk@hikvision.com

**Hikvision South Africa**  
Tel: +27 (10) 0351172  
sale.africa@hikvision.com

**Hikvision France**  
T +33(0)1-85-330-450  
info.fr@hikvision.com

**Hikvision Kazakhstan**  
T +7-727-9730667  
nikia.panfilov@hikvision.ru

**Hikvision Vietnam**  
T +84-974270888  
sales.vt@hikvision.com

**Hikvision UAE**  
T +971-4-4432090  
salesme@hikvision.com

**Hikvision Singapore**  
T +65-6684-4718  
sg@hikvision.com

**Hikvision Spain**  
T +34-91-737-16-55  
info.es@hikvision.com

**Hikvision Tashkent**  
T +99-87-1238-9438  
uzb@hikvision.ru

**Hikvision Hong Kong**  
T +852-2151-1761  
info.hk@hikvision.com

**Hikvision Russia**  
T +7-495-669-67-99  
saleru@hikvision.com

**Hikvision Korea**  
T +82-(0)31-731-8817  
sales.korea@hikvision.com

**Hikvision Poland**  
T +48-22-460-01-50  
info.pl@hikvision.com

**Hikvision Indonesia**  
T +62-21-2933759  
Sales.Indonesia@hikvision.com

**Hikvision Colombia**  
sales.colombia@hikvision.com